

Active Electric Sit Stand Workstation

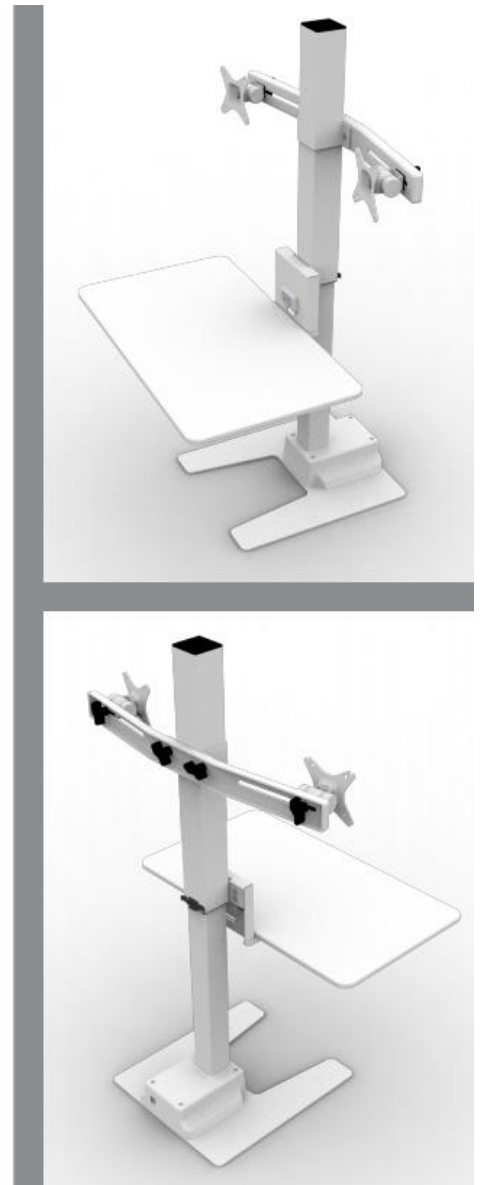
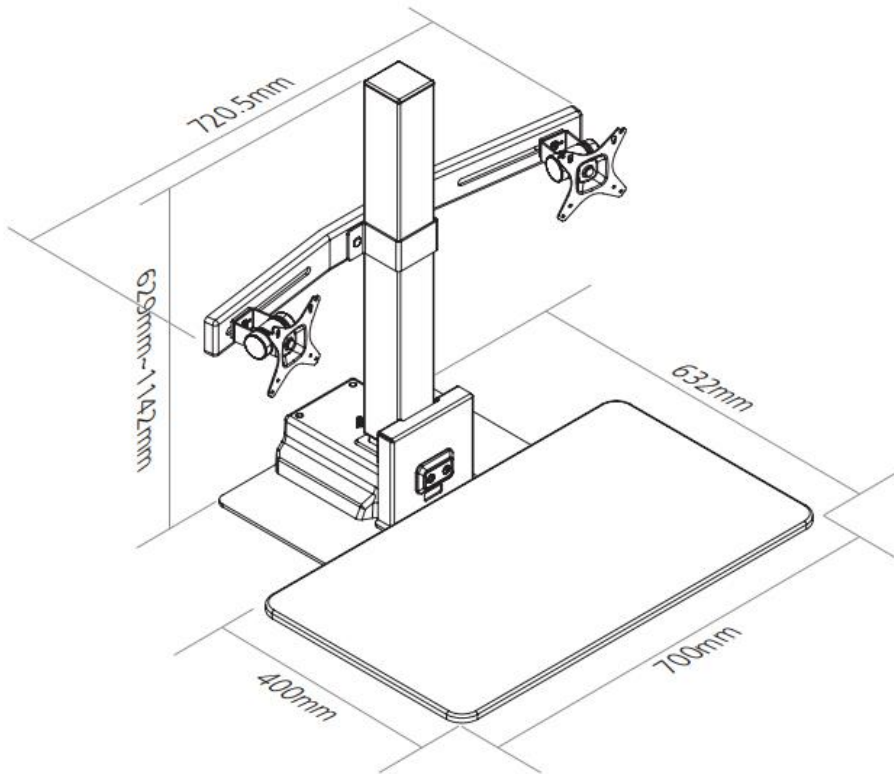
Active™ is our an electric sit stand workstation which has been designed to instantly convert most desks into a sit stand workspace. The product is quick and easy to assemble and provides a generous working surface that can be raised and lowered at the touch of a button.



Features

- Quick and easy assembly
- Converts any desk into a sit stand workstation
- Comes complete with a single and double supports
- Single option supports monitor weights up to 7kg and the double option supports monitor weights up to 14kg
- Travel range is 450mm \pm 5mm
- Travel time is approx. 11 seconds
- The product life cycle is 10,000+

Dimensions



WHY IS SIT STAND WORKING BETTER?

Official guidance from the [NHS states that we should sit less throughout the day](#). The main research behind this is that sedentary behaviour can increase the risk of a range of chronic diseases such as obesity, type 2 diabetes and high blood pressure.

Finding a balance between sitting and standing (as standing for long periods of time can have a negative impact on health). By installing a sit stand solution such as Active encourages users to stand. At the touch of a button, their work surface is raised to a height suitable for them while standing.